



The  
**Backrail**  
Cantilever System

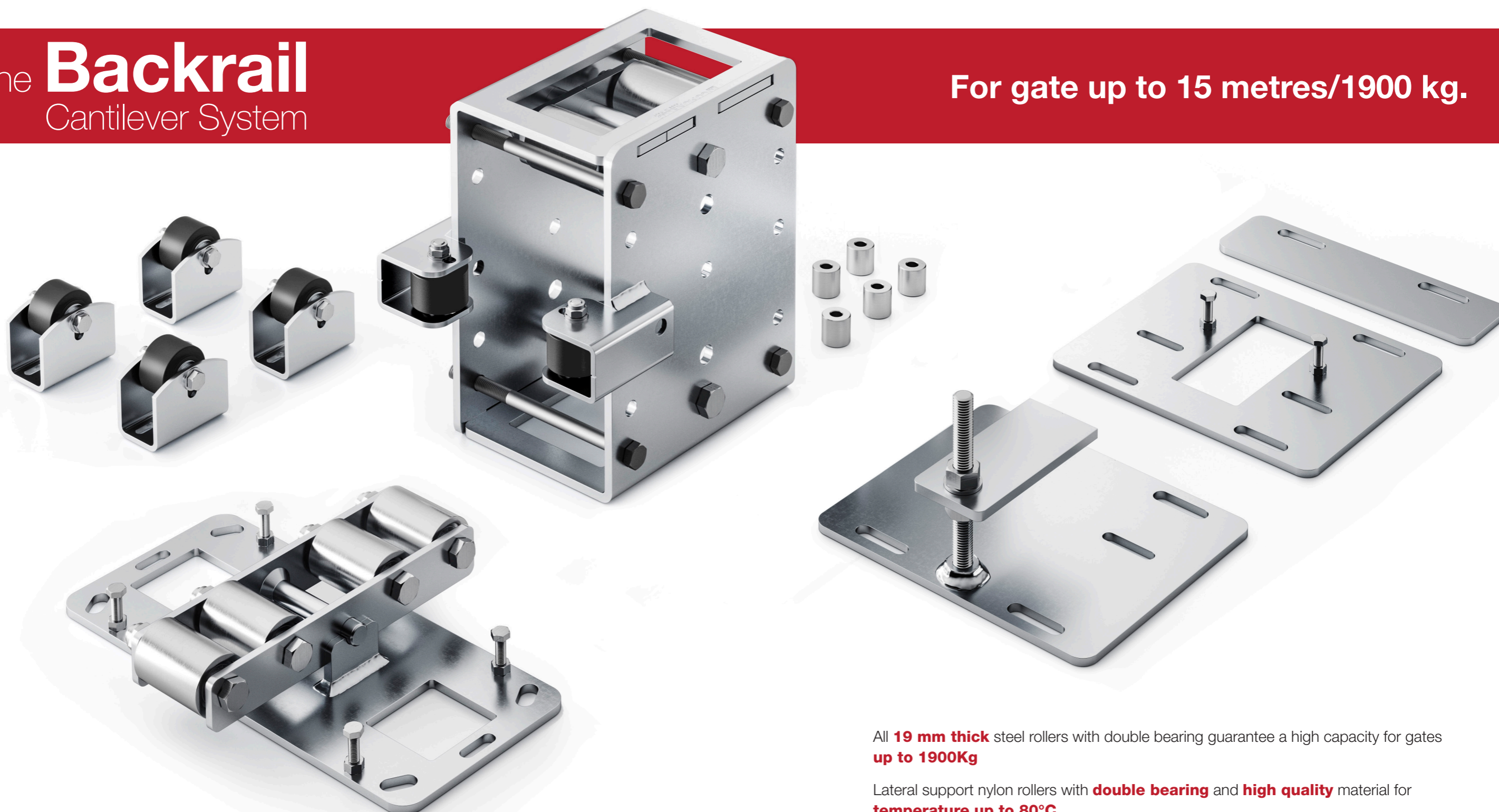




# The Backrail

## Cantilever System

For gate up to 15 metres/1900 kg.



All **19 mm thick** steel rollers with double bearing guarantee a high capacity for gates **up to 1900Kg**

Lateral support nylon rollers with **double bearing** and **high quality** material for **temperature up to 80°C**

10mm thick **hot dipped galvanised** front base plate

Front base with strong **central pivot** pin made of high quality **hardened steel**

All screws and nuts have a **delta protekt** surface treatment for a **high protection**

All backrail system is made with **10 mm thick steel plates**

CODE	ART.	Box info	
		Pcs per pack	Kg
10140010 001	BGS-350	1 kit	92.5 Kg



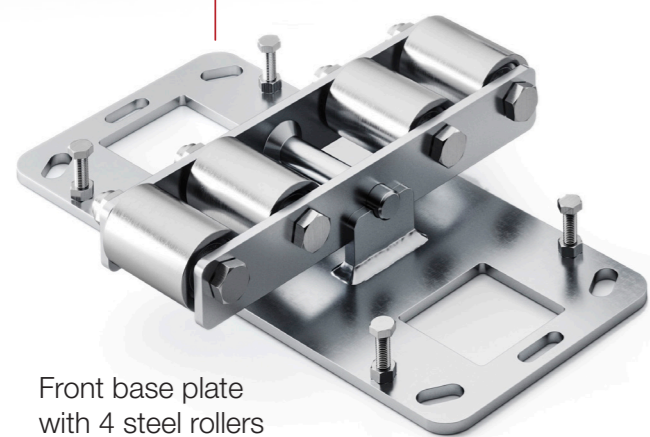
# The Backrail Cantilever System

Backrail is a complete kit appropriately designed and created to build cantilever sliding gates quickly and easily.

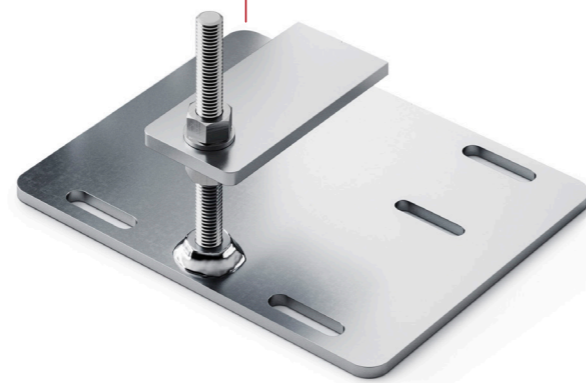
The high quality of the materials combined with an accurate design make it suitable for a wide range of openings from 5 to 15 meters with a maximum weight of up to 1900kg.



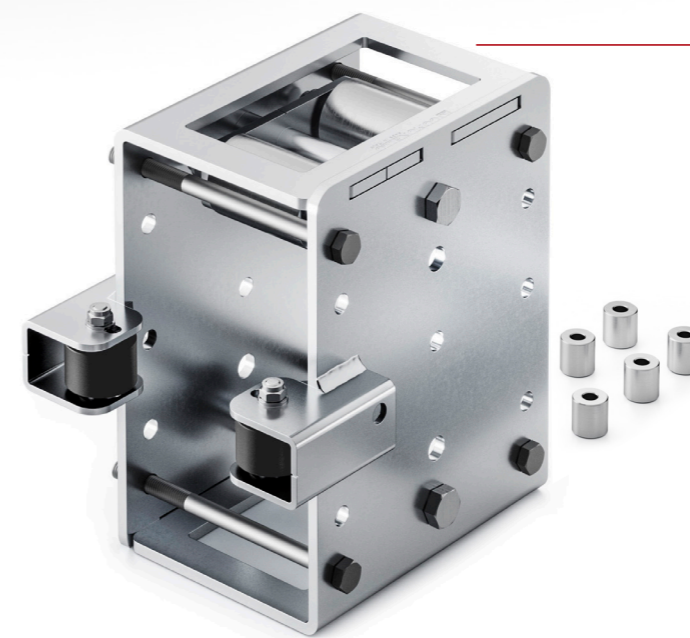
Lateral side support adjustable nylon rollers



Front base plate with 4 steel rollers



Adjustable front base plate



Roller box suitable for 200x100 and 150x100 backrail RHS.



Adjustable rear base plate

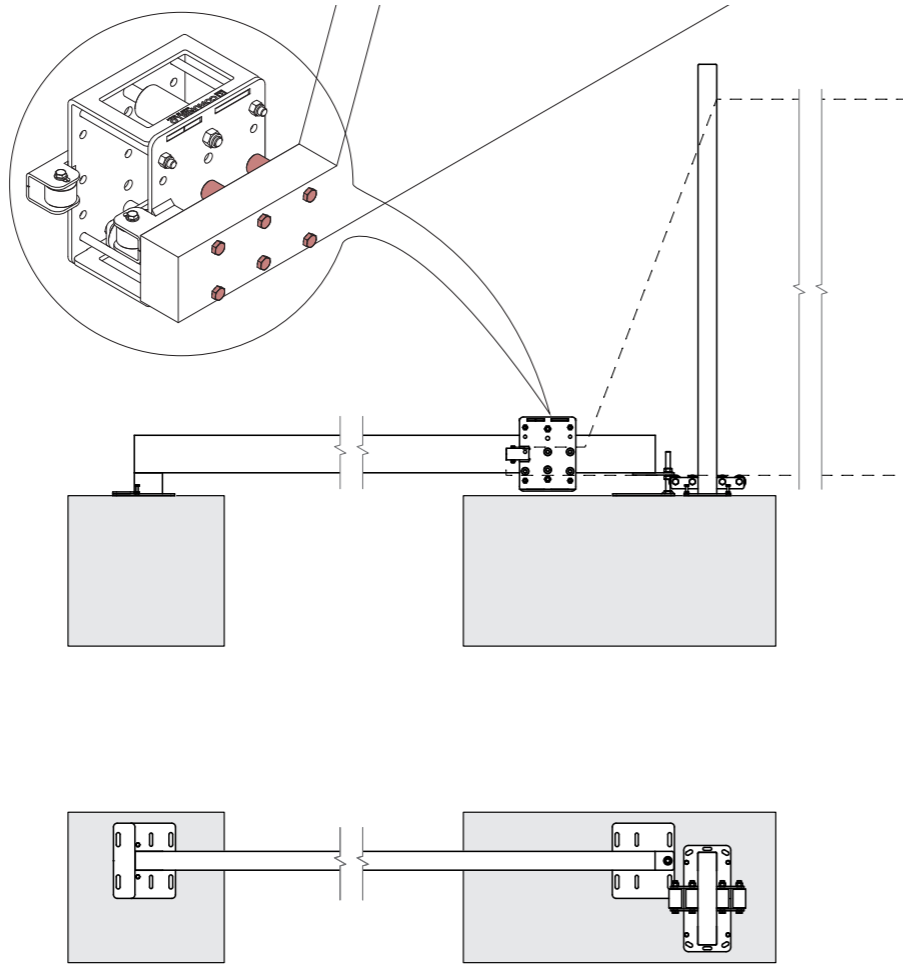


The **Backrail**  
Cantilever System

**Bolt-on**  
installation

Roller box design allows for either weld on or bolt on configurations.

The bolt-on version allows for ease of replacement if necessary.

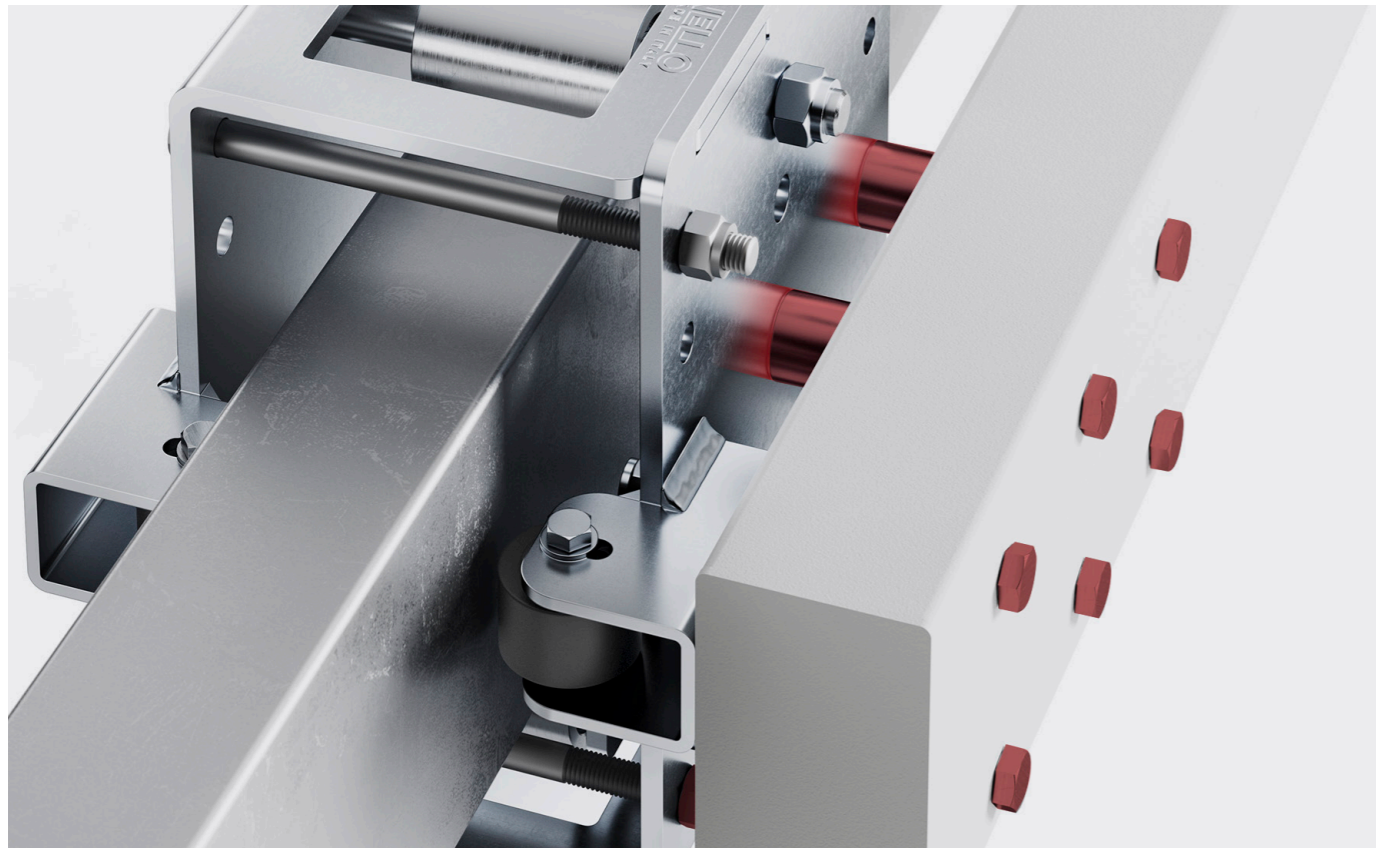
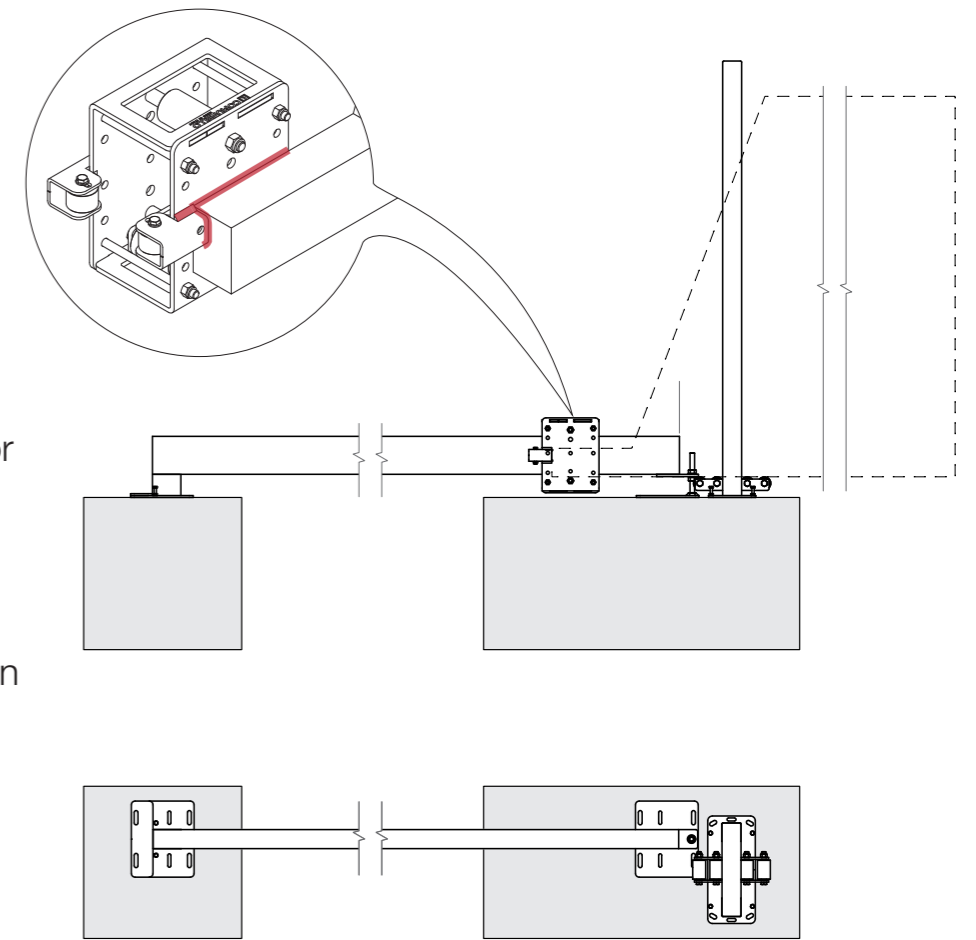


The **Backrail**  
Cantilever System

**Weld-on**  
installation

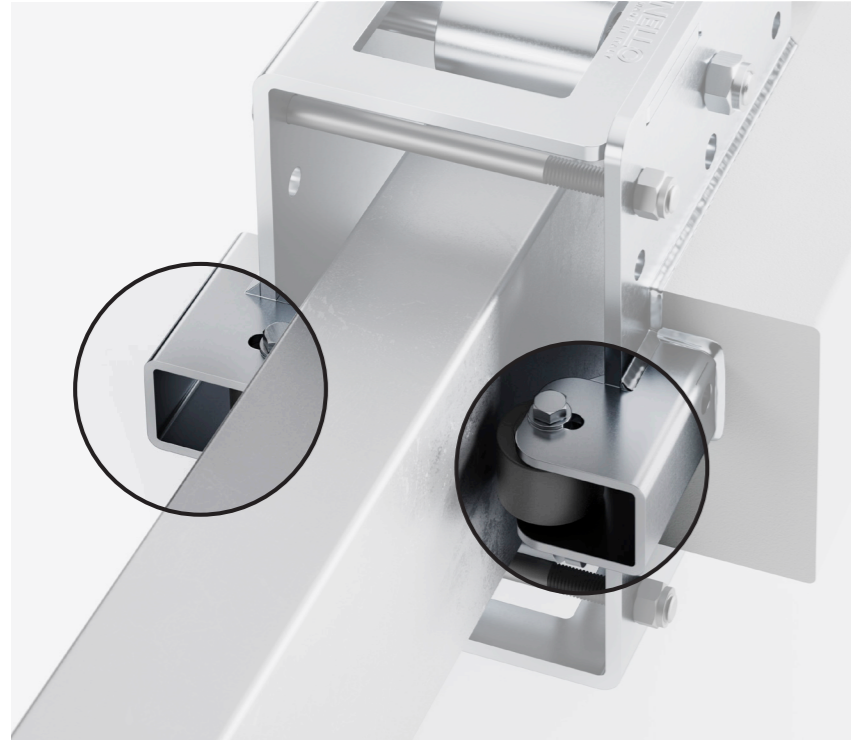
Roller box design allows for either weld on or bolt on configurations.

The weld-on version reduces the space between gate and tubular backrail.

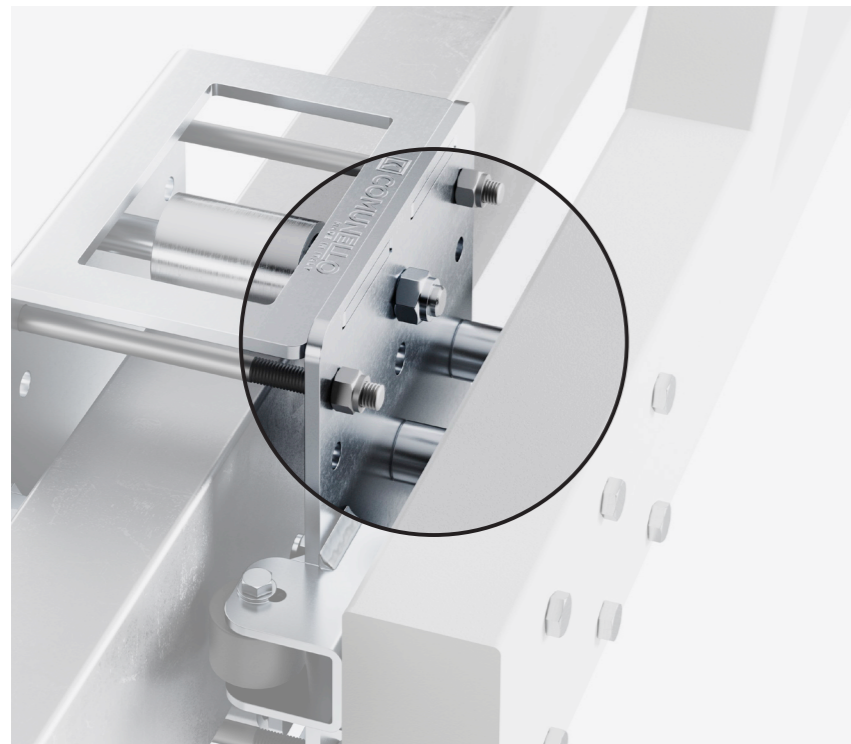




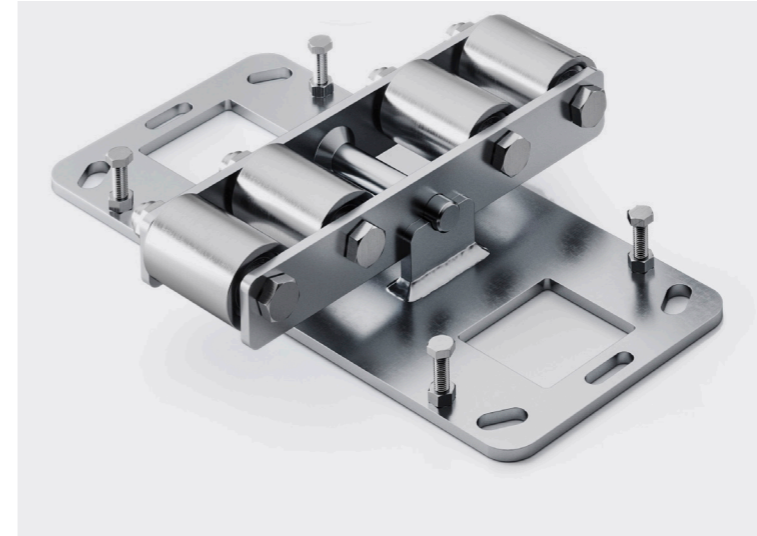
# The Backrail Cantilever System



Roller box is integrated with adjustable nylon guide rollers to maintain gate tracking and performance.



- Backrail system accommodates both 150 x 100mm and 200 x 100mm backrail RHS.
- This is achieved by changing the position of the upper roller.



- Hot dipped galvanised front base plate is laser cut to accommodate double post, and fitted with 4 x heavy duty steel rollers on a pivoting cradle system .
- The quality of the materials and bearings used guarantees a high load capacity which makes the system suitable for gates up to 1900Kg.

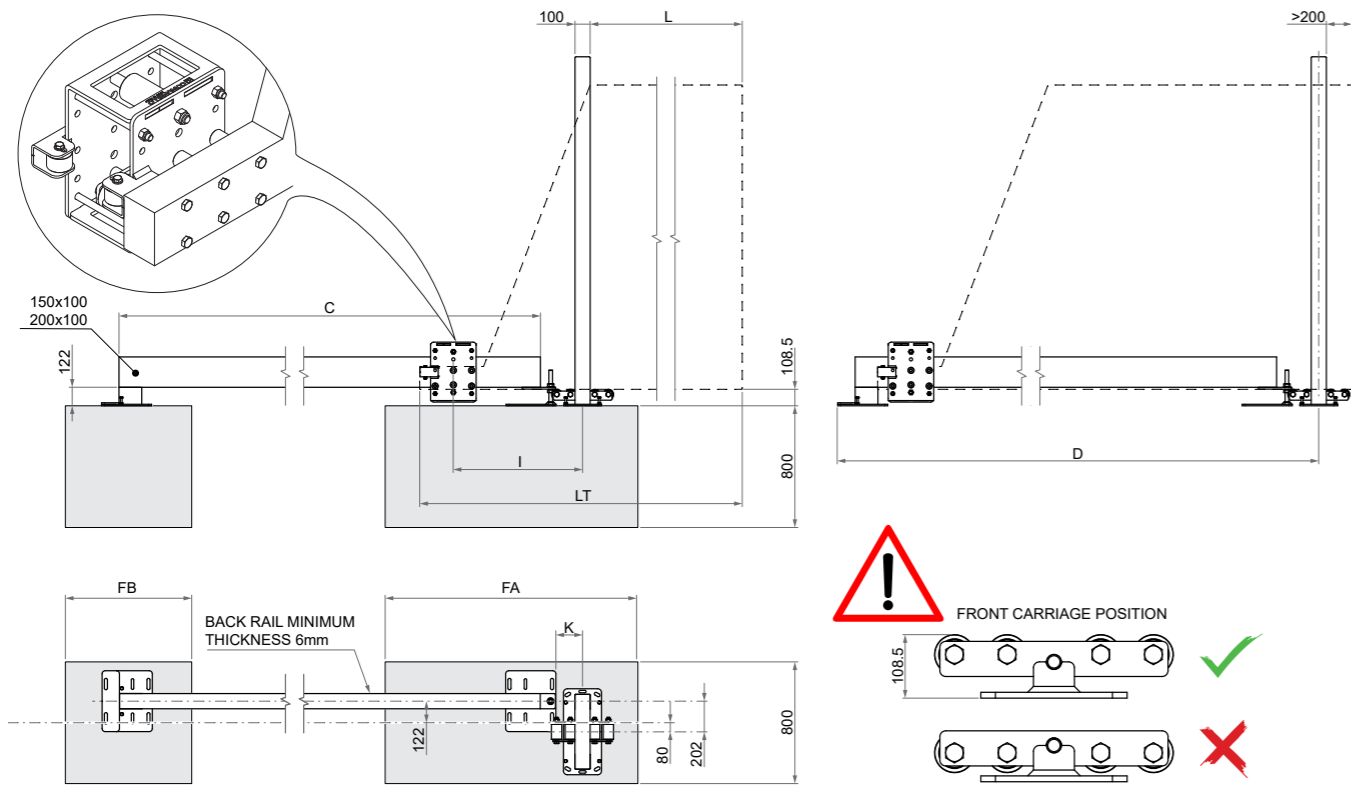


The kit Includes 4 x lateral side support rollers with mounting brackets to ensure accurate gate tracking.



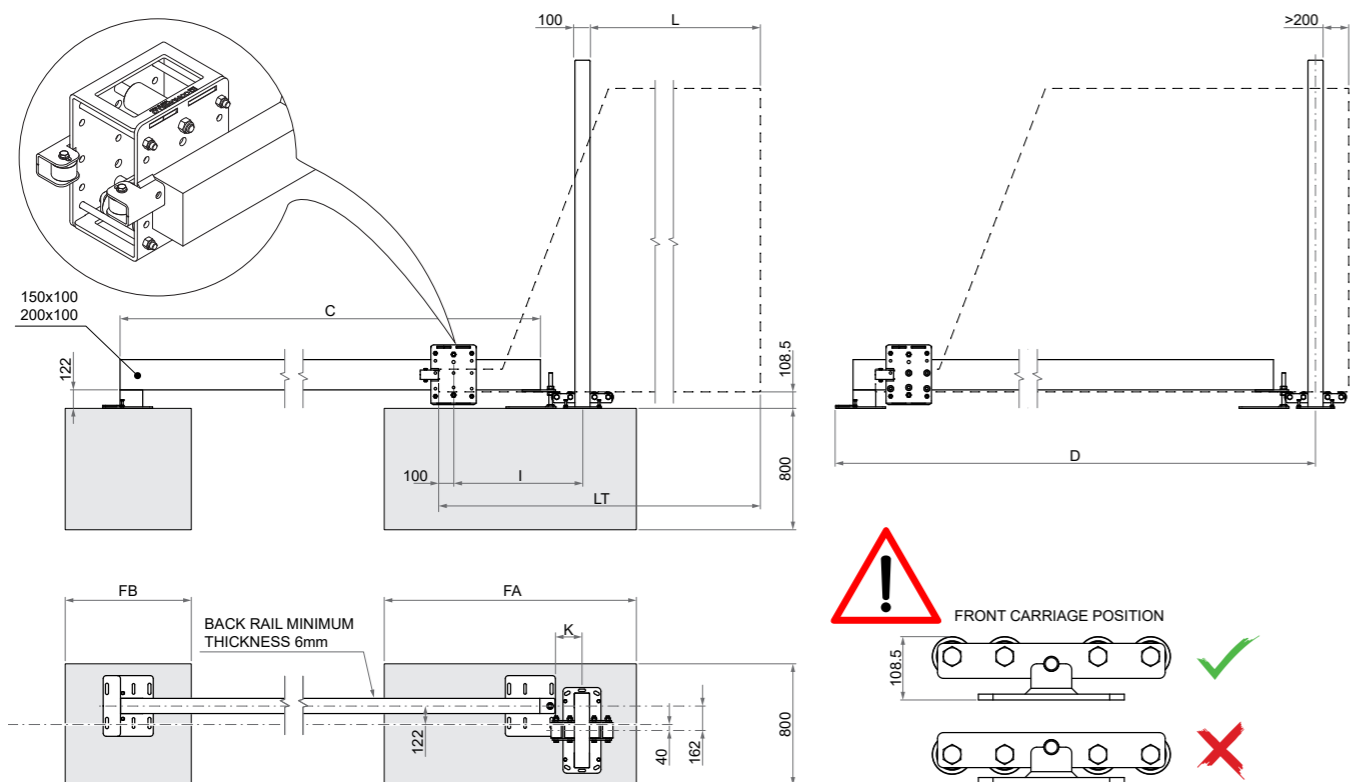
- The Kit is supplied with weld on front and rear foundation base plates to suit backrail RHS.
- Large slotted holes in the backrail baseplates provide side adjustment to the backrail RHS. Vertical adjustment and levelling is achieved with the threaded rod.

### Configuration of a Bolt-on installation



weight (Kg)	L=5m		L=6m		L=7m		L=8m		L=9m		L=10m	
	FA (m)	lmin (m)	FA (m)	lmin (m)	FA (m)	lmin (m)	FA (m)	lmin (m)	FA (m)	lmin (m)	FA (m)	lmin (m)
200	1,19	0,70	1,21	0,70	1,23	0,70	1,26	0,70	1,28	0,70	1,36	0,70
300	1,26	0,70	1,29	0,70	1,33	0,70	1,47	0,70	1,65	0,70	1,81	0,70
400	1,33	0,70	1,38	0,70	1,59	0,70	1,80	0,70	2,00	0,70	2,19	0,70
500	1,41	0,70	1,59	0,70	1,84	0,70	2,07	0,70	2,29	0,70	2,49	0,70
600	1,49	0,70	1,78	0,70	2,05	0,70	2,30	0,70	2,53	0,74	2,74	0,82
700	1,64	0,70	1,95	0,70	2,23	0,71	2,49	0,80	2,72	0,89	2,93	0,98
800	1,77	0,70	2,09	0,72	2,39	0,83	2,65	0,93	2,88	1,04	3,09	1,14
900	1,88	0,71	2,22	0,83	2,51	0,85	2,77	1,08	3,01	1,20	3,22	1,32
1000	1,98	0,82	2,32	0,95	2,61	1,09	2,87	1,23	3,10	1,36	3,31	1,50
1100	2,06	0,92	2,40	1,08	2,69	1,23	2,95	1,39	3,18	1,54	3,38	1,70
1200	2,12	1,03	2,46	1,21	2,75	1,38	3,01	1,55	3,23	1,73	3,43	1,90
1300	2,20	1,15	2,51	1,34	2,80	1,54	3,05	1,73	3,27	1,93	3,46	2,12
1400	2,33	1,28	2,55	1,49	2,83	1,71	3,07	1,92	3,28	2,14	3,47	2,35
1500	2,46	1,41	2,70	1,65	2,93	1,88	3,17	2,12	3,41	2,36	3,65	2,60
1600	2,60	1,55	2,86	1,81	3,12	2,07	3,39	2,34	3,65	2,60	3,91	2,86
1700	2,76	1,71	3,04	1,99	3,33	2,28	3,61	2,56	3,90	2,85	4,19	3,14
1800	2,92	1,87	3,23	2,18	3,54	2,49	3,86	2,81	4,17	3,12	4,49	3,44
1900	3,09	2,04	3,43	2,38	3,78	2,73	4,12	3,07	4,46	3,41	4,81	3,76

### Configuration of a weld-on installation



weight (Kg)	L=11m		L=12m		L=13m		L=14m		L=15m	
	FA (m)	lmin (m)	FA (m)	lmin (m)	FA (m)	lmin (m)	FA (m)	lmin (m)	FA (m)	lmin (m)
200	1,49	0,70	1,61	0,70	1,74	0,70	1,86	0,70	1,98	0,70
300	1,97	0,70	2,13	0,70	2,27	0,70	2,41	0,70	2,55	0,70
400	2,36	0,70	2,53	0,70	2,69	0,70	2,84	0,72	2,98	0,77
500	2,68	0,73	2,85	0,79	3,02	0,86	3,17	0,92	3,32	0,98
600	2,93	0,89	3,11	0,97	3,27	1,05	3,43	1,12	3,58	1,20
700	3,13	1,07	3,31	1,16	3,47	1,25	3,63	1,34	3,77	1,43
800	3,29	1,25	3,46	1,35	3,63	1,46	3,78	1,57	3,91	1,67
900	3,41	1,44	3,58	1,56	3,74	1,68	3,88	1,80	4,02	1,93
1000	3,50	1,64	3,67	1,78	3,82	1,92	3,96	2,06	4,09	2,20
1100	3,56	1,85	3,73	2,01	3,87	2,17	4,01	2,32	4,13	2,48
1200	3,60	2,08	3,76	2,25	3,90	2,43	4,03	2,60	4,15	2,78
1300	3,63	2,32	3,78	2,51	3,91	2,71	4,03	2,90	4,15	3,10
1400	3,63	2,57	3,83	2,78	4,05	3,00	4,27	3,22	4,48	3,43
1500	3,89	2,84	4,12	3,07	4,36	3,31	4,60	3,55	4,84	3,79
1600	4,17	3,12	4,43	3,38	4,70	3,65	4,96	3,91	5,22	4,17
1700	4,48	3,43	4,76	3,71	5,05	4,00	5,34	4,29	5,63	4,58
1800	4,80	3,75	5,12	4,07	5,43	4,38	5,75	4,70	6,07	5,02
1900	5,15	4,10	5,50	4,45	5,84	4,79	6,19	5,14	6,53	5,48

FB=FA/2	
LT=L+l+270mm	ROLLER BOX TO BE FIXED
LT=L+l+150mm	ROLLER BOX TO BE WELDED

K=l-530mm
C=L+620mm
D=C+K+15mm

# Gate innovation made in Comunello

 **COMUNELLO GATE**

**FRATELLI COMUNELLO S.P.A.**

Via Cassola, 64 - C.P. 79

36027 Rosà, Vicenza, Italy

Tel. +39 0424 585111 Fax +39 0424 533417

info@comunello.it [www.comunello.com](http://www.comunello.com)